

Groundbreaking and time-saving in replacements. Installing a replacement pump has never been easy.

## Design

- Smooth running
- Low-wear materials
- Screws on the suction and pressure sides
- Bellow-type mechanical seal on a plastic protector
- Self-priming pump (assembly max. 2 m. above or max. 3 m. below the water level)

## Field of Application

The BADU Magic self-priming pool pump is a real all-rounder for private or public pool and pond units. Due to the flexible connection options and the large strainer tank, it is perfect for: above ground pools, partially submerged pools, built-in pools, swimming ponds fish ponds.

## Material Used

- Pump casing .....PP GF 30
- Housing cover .....PP TV 30
- Impeller .....PA 66 GF 30/PP GF 30/PPE GF 30
- Strainer basket .....PP
- Lid .....PC, transparent/PP GF 30
- Union with Glue sockets .....PVC-U
- Mechanical seal .....carbon/ceramic/NBR
- Motor shaft .....stainless steel
- Screws .....galvanised steel/stainless steel

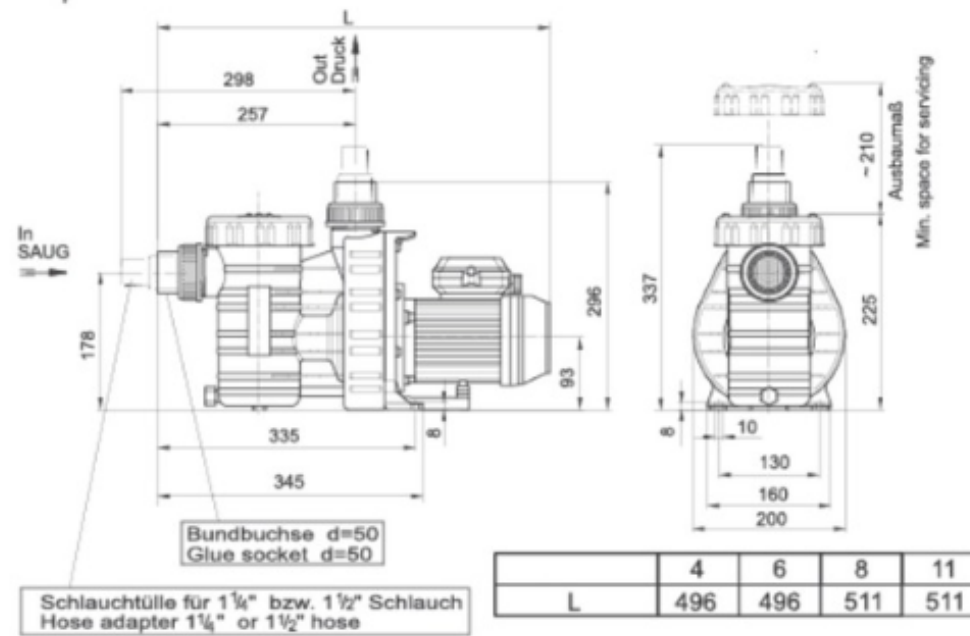
Pool technology	4	6	8	11
Inlet /outlet D (in)	1.5"/1.5"	1.5"/1.5"	1.5"/1.5"	1.5"/1.5"
Voltage (V) (1~)	230	230	230	230
Current (A)	1.4	1.7	2.6	2.9
Power Input/Output (kW)	0.32/0.20	0.38/0.25	0.58/0.40	0.65/0.45
Weight (kg)	7	7	11	11

Article	Description	Flow rate (Q at 8m)	Voltage (1~)	HorsePower(In/Out)
1	BADU Magic 4	4	230	0.4
2	BADU Magic 6	6	230	0.5
3	BADU Magic 8	8	230	0.75
4	BADU Magic 11	11	230	1

# BADU Magic 4-11



## Dimension



## Performance

